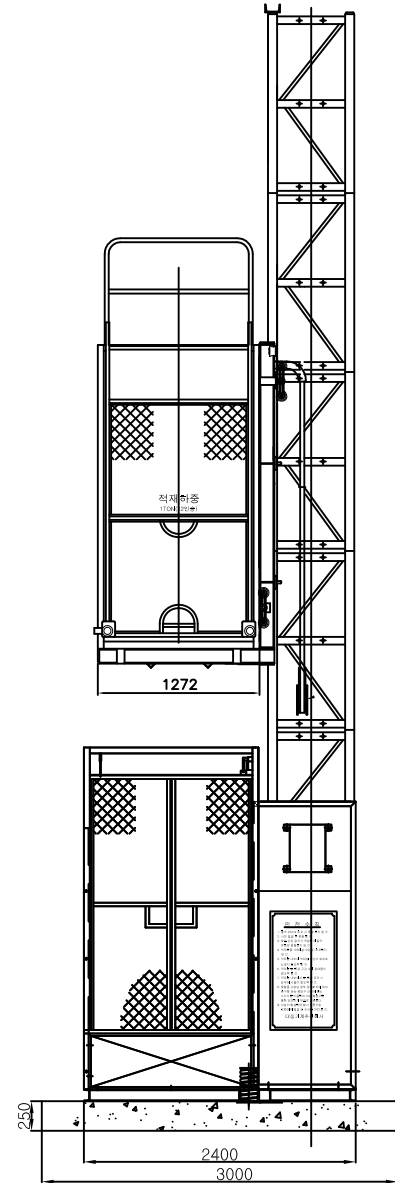
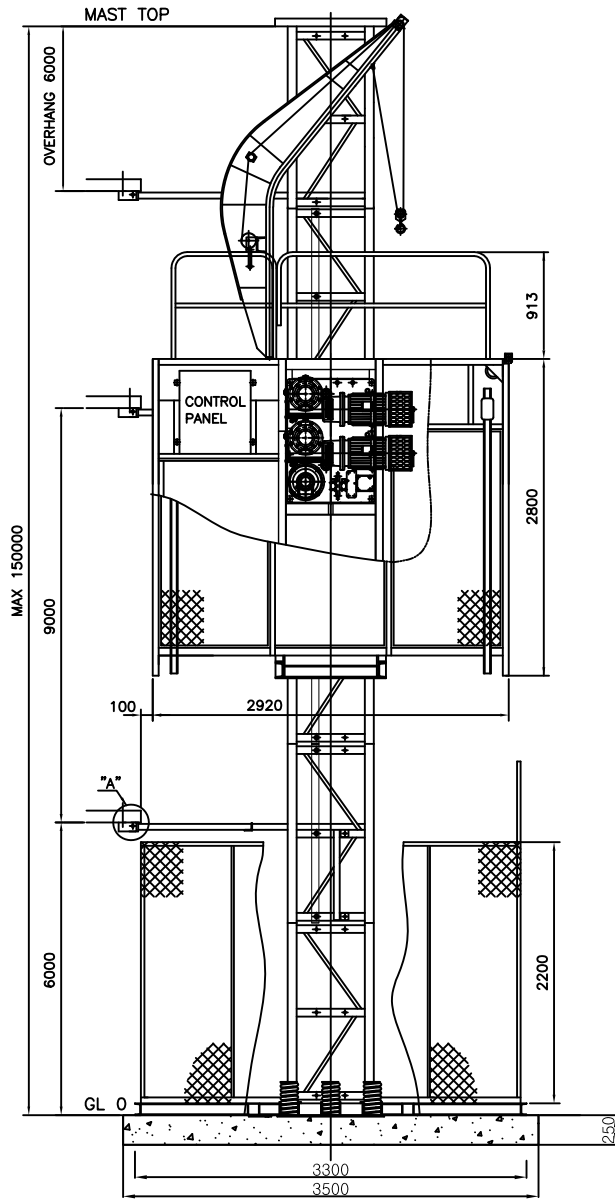


# HOIST CAR MANUFACTURING

Model : RGL-1000S , DJ -N



## SPECIFICATIONS

DESCRIPTION	SPECIFICATION
LIFTING CAPACITY	1000kg
CAGE (LxWxH)	2920x1228x2800
MAX. LIFTING HEIGHT	MAX. 150m
RUNNING SPEED	38 m/min
POWER SOURCE	380Vx3PH
ELECTRIC RATIO	9.75kWx4Px2EA
REDUCTION RATIO	i=1/17.5 2EA
PINION GEAR	M=8, Z=15, B=40
RACK GEAR	M=8, NT=60, B=40
CONTROL METHOD	PUSH BUTTON S/W
SAFETY DEVICE	868kg.m
MAST	650x650x1508

Installation Space

